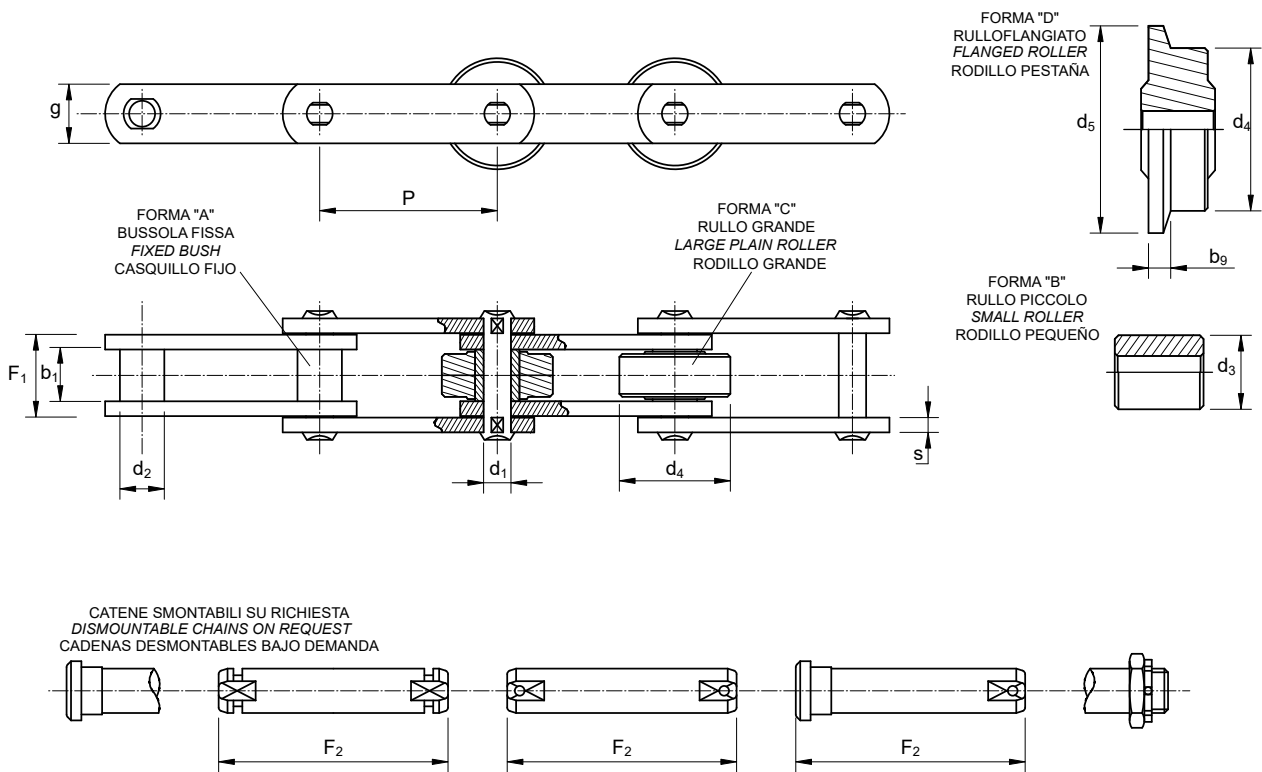


**Catena di trasporto con
perni pieni**

Solid pin conveyor chain

**Cadenas transportadoras con
ejes macizos**

ISO-R 1977/DIN 8167



Codice Code Código ISO/DIN	Passo Pitch Paso P			Dimensioni / Dimensions / Dimensiones mm											Superf. di artic. Surface of artic. Superf. de artic. cm ²	MBF kN
				Rullo grande / Large roller / Rodillo grande			Spessore Thickness Espesor b ₉	g	s	F ₁	F ₂	Ø Rullo piccolo Small roller Rodillo pequeño d ₃	Ø Bussola Bush Casquillo d ₂	Ø Perno Pin Eje d ₁		
				Ø Rullo Roller Rodillo d ₄	Ø Guida Guide Guía d ₄ /d ₅	b ₁										
M-80	80	100	125	28	50	50/60	5.5	35	5	57	65	25	18	12	4.68	80
	160	200	250													
M-112	80	100	125	32	60	60/70	6.5	40	6	66	74	30	21	15	6.75	112
	160	200	250													
M-160	100	125	160	37	70	70/85	8	50	7	77	86	36	25	18	9.36	160
	200	250	315													
M-224	125	160	200	43	85	85/100	9.5	60	8	88	100	42	30	21	12.6	224
	250	315	400													
M-315	160	200	250	48	100	100/120	11	70	10	103	114	50	36	25	17.5	315
	315	400	500													
M-450	200	250	315	56	120	120/140	13	80	12	122	140	60	42	30	24.6	450
	400	500	630													
M-630	250	315	400	66	140	140/170	15	100	14	142	156	70	50	36	34.56	630
	500	630	800													
M-900	250	315	400	78	170	170/210	17	120	16	165	185	85	60	44	49.28	900
	500	630	800													